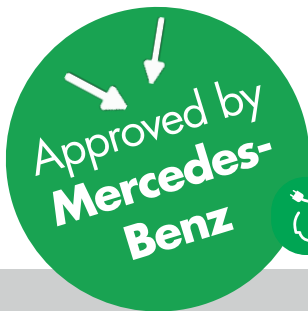


HYDRAULIC 2-POST-LIFT

POWER LIFT HF 3S 5000 MB



**SIMPLY FAST.
TRIPLE SAFETY.**



THE RECOMMENDED HYDRAULIC 2-POST-LIFT FOR MERCEDES-BENZ LIGHT VANS

- ✓ Very fast lifting and lowering times
- ✓ Automatic lock release without „Klack“-noise plus patented NT-Technology with 4 pulling cylinders and 2 independent hydraulic circuits
- ✓ Automatic purging of the hydraulic system and synchronization of arms in the highest position due to patented **HyperFlow** Technology
- ✓ Less maintenance effort due to less moving parts within the lift
- ✓ Parking position for long-term tasks and storage of the vehicle
- ✓ Flexible connections between the column, no floor connection
- ✓ Durable and quiet running oil submerged premium aggregate
- ✓ Precise positioning as well as adjustable lowering speed with Nussbaum-Commander
- ✓ No lifting before lowering necessary
- ✓ Energy-Set with compressed air and electric outlet (220V), document holder and magnetic storage tray included as well as CE-Stop as standard equipment



THE RIGHT MEASURES FOR SUCCESS OF YOUR MERCEDES-BENZ PARTNER WORKSHOP



Wheel fork adapter
Art.-No.: 0010089



Attachment set with fixing pin for MB Sprinter
Art.-No.: 0006882



Attachment set with prism for MB Sprinter
Art.-No.: 0006881

Original Mercedes-Benz and standard accessories available on request.

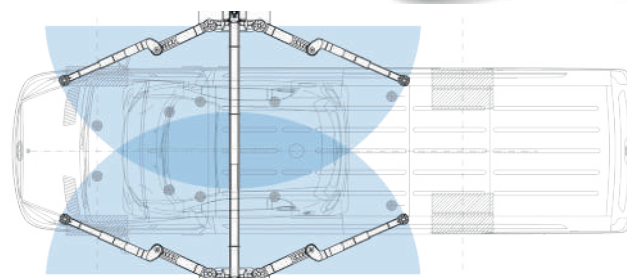
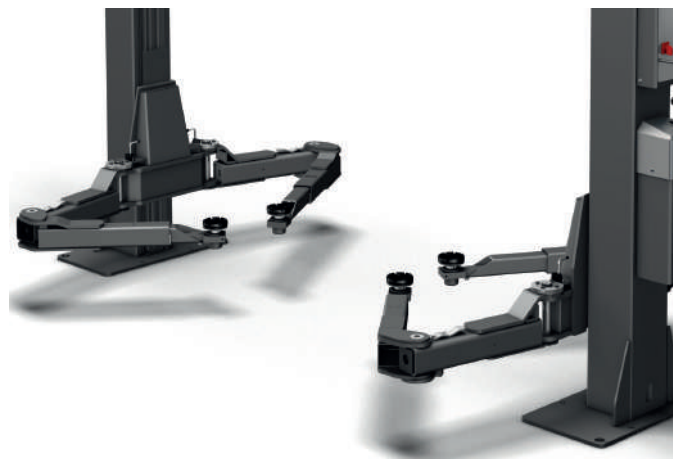
POWER LIFT HF 3S 5000 MB

Lifting capacity (kg)	5000
Lifting/lowering time approx. (sec)	31/15
Lifting height (mm)	2055
Lowest lifting point with DG-arms (mm)	120-195
Total height (mm)	4035-4935
Total height with optional extensions (mm)	4356-5256
Total width (mm)	4300
Drive-through width (mm)	2790
Arm extraction long (mm)	0-1825
Power supply (V/Hz/A)	400/50/16

POWER LIFT HF 3S 5000 MB with double-jointed arms (DG)

The symmetrical, telescopic support arms with two hinged joints are very flexible, user-friendly and ensure an industry-leading pick-up range of all vehicles and light vans.

Recommended by Mercedes-Benz for light vans. Limited use for passenger cars and smart.



Techn. changes and errors excepted. Images similar. | Valid from 05 2023 © Nussbaum Automotive Lifts GmbH | Korker Str. 24 | 77694 Kehl | Germany
Tel.: +49 (0) 7853 899 - 0 | Fax: +49 (0) 7853 8787 | info@nussbaumlifts.com | nussbaumlifts.com